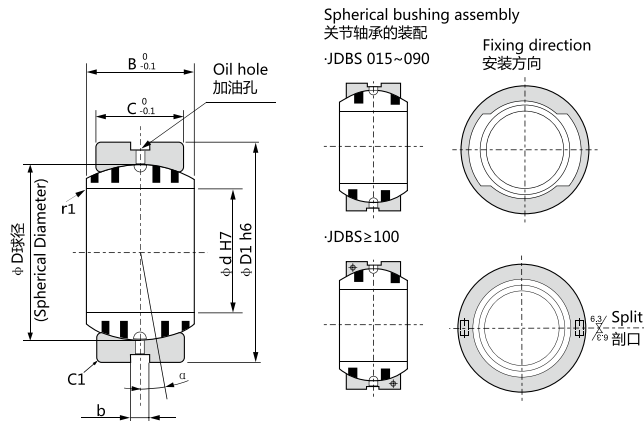


# JDBS 自润滑关节轴承

## JDBS Self-lubricating Spherical Bearing

<https://www.bronzeLube.com>



Inner ring 内圈	Material 材质	650 # + Gr/石墨
Outer ring 外圈	Material 材质	S45C
	Hardness 硬度	HRC 25~30

座孔 Housing: H7  
轴 Shaft: g6



Unit(单位): mm

型号规格 Standard No.	d	H7	D1	h6	B	C	D	b	调整角度 Alignment Angle α°	径向承载Allowable Radial Load (kN)	轴向载荷Allowable Thrust Load (kN)
JDBS-015	15	$\begin{smallmatrix} +0.018 \\ 0 \end{smallmatrix}$	26	$\begin{smallmatrix} 0 \\ -0.013 \end{smallmatrix}$	12	9	22		8	6.5	0.5
JDBS-020	20		32		16	14	28		4	12.6	1.4
JDBS-025	25	$\begin{smallmatrix} +0.021 \\ 0 \end{smallmatrix}$	42	$\begin{smallmatrix} 0 \\ -0.016 \end{smallmatrix}$	21	18	36		5	21.8	2.5
JDBS-030	30		50		27	23	44		6	32.0	3.5
JDBS-035	35		55		30	26	49		5	43.7	4.8
JDBS-040	40	$\begin{smallmatrix} +0.025 \\ 0 \end{smallmatrix}$	62	$\begin{smallmatrix} 0 \\ -0.019 \end{smallmatrix}$	33	28	55	4	6	54.7	5.7
JDBS-045	45		72		36	31	62		5	69.7	7.2
JDBS-050	50		80		42	36	70		6	92.4	10
JDBS-060	60		100		53	45	90		6	143	16
JDBS-070	70	$\begin{smallmatrix} +0.030 \\ 0 \end{smallmatrix}$	110	$\begin{smallmatrix} 0 \\ -0.022 \end{smallmatrix}$	58	50	99		5	181	20
JDBS-080	80		130		70	60	115		6	254	30
JDBS-090	90		140		76	65	125		6	313	36
JDBS-100	100	$\begin{smallmatrix} +0.035 \\ 0 \end{smallmatrix}$	160	$\begin{smallmatrix} 0 \\ -0.025 \end{smallmatrix}$	88	75	145		5	544	64
JDBS-110	110		170		93	80	155		5	642	73
JDBS-120	120		190		105	90	170		6	797	94
JDBS-130	130		200		110	95	180		5	880	105
JDBS-140	140		210	$\begin{smallmatrix} 0 \\ -0.029 \end{smallmatrix}$	90	70	180		7	668	56
JDBS-150	150	$\begin{smallmatrix} +0.040 \\ 0 \end{smallmatrix}$	220		120	105	200	6	5	1135	129
JDBS-160	160		230		105	80	200		8	891	73
JDBS-180	180		260	$\begin{smallmatrix} 0 \\ -0.032 \end{smallmatrix}$	105	80	225		6	1002	74
JDBS-200	200		290		130	100	250		7	1434	117
JDBS-220	220	$\begin{smallmatrix} +0.046 \\ 0 \end{smallmatrix}$	320		135	100	275		8	1577	118
JDBS-240	240		340	$\begin{smallmatrix} 0 \\ -0.036 \end{smallmatrix}$	140	100	300		8	1720	118
JDBS-260	260		370		150	110	325		7	2072	143
JDBS-280	280	$\begin{smallmatrix} +0.052 \\ 0 \end{smallmatrix}$	400		155	120	350	9	6	2455	172
JDBS-300	300		430	$\begin{smallmatrix} 0 \\ -0.040 \end{smallmatrix}$	165	120	375		7	2630	172